

Airetrak 1A Advantage™

PROGRAMMABLE BATH FAN CONTROL



One Control Does It All!

The Airetrak 1A Advantage replaces regular wall switches for both the bath fan and light. It sets the fan to operate intermittently or continuously throughout the day at variable speeds and full speed when you need it.

The Airetrak 1A Advantage is simple to install, and easy to program.

ETL Listed.

LIKE US ON
FACEBOOK



FOLLOW US
ON TWITTER



Battic Door

Home Energy Conservation Products

Airetrak 1A Advantage™

Patented Airetrak 1A Advantage™ Fan Control is easy to install, and economical!
 Makes standard bath fans ASHRAE 62.2 compliant!



Patented ETL Listed

- Features a full function 24 hour clock display with independent fan and fan light control.
- 5 amp field replaceable fuse.
- Choose from a wide range of programming capabilities.
- Your program is maintained in the event of a power outage.
- Decora trim plate not included.

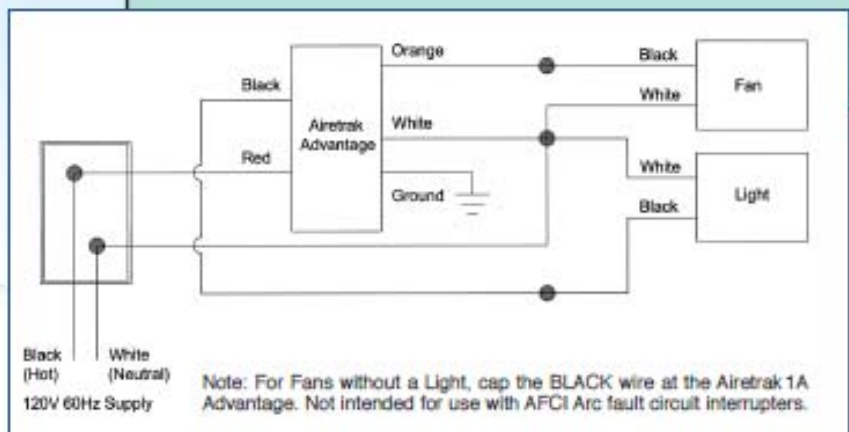
Specifications

Input120 VAC 60 Hz
 Maximum Power Output300 Watts
 Dimensions
 Mounting Flange4 1/8" x 1 3/4"
 Housing2 3/4" x 1 3/4" x 1 5/8"

Some ventilation equipment should not be used with a solid state speed control. Please check with the manufacturer.

Fan/Light button adjusts time up
Fan Only button adjusts time down
Power

OVR: Override Button - Determines how long fan will run at full speed when either Fan/Light or Fan Only is pressed.
DC: Duty Cycle Button - Determines how many minutes of each hour the Advantage will operate the fan. Set in 5 minute intervals.
SS: Speed Set - Determines the speed at which the fan operates during the programmable cycle.
TS: Time Set - Determines how many hours each day the Advantage will operate the fan, either 12 or 24 hours.



Battic Door

Home Energy Conservation Products

508.320.9082

www.batticdoor.com